

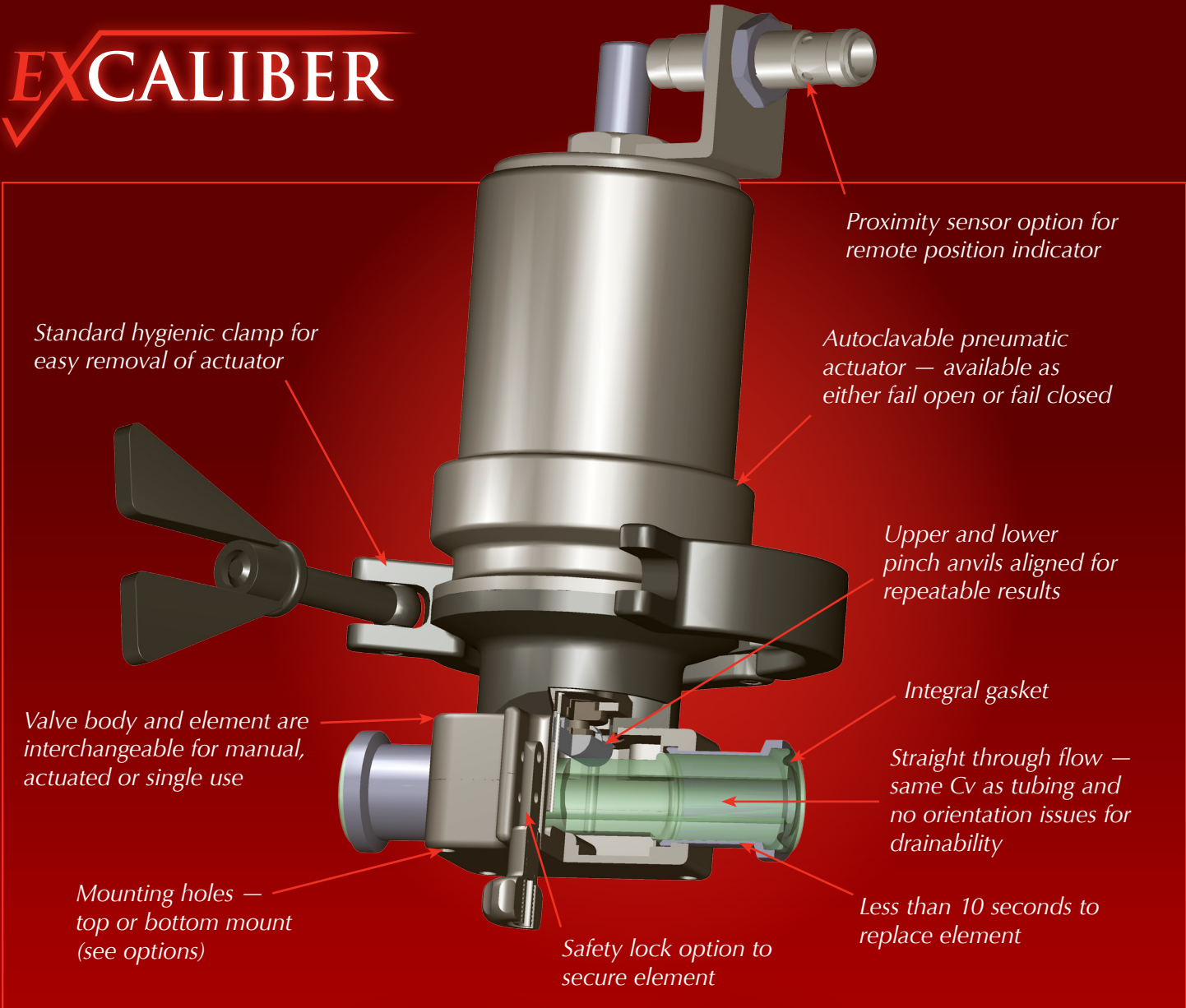
INTRODUCING

EXCALIBUR

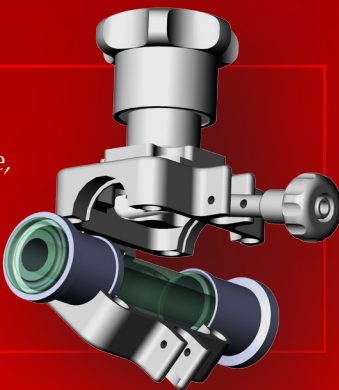


*The valve that can be
changed out in 10 seconds ...
without tools!*

EXCALIBUR



Single-closure, manual valve assembly



Single-closure, actuated valve assembly



THE ONE VALVE FOR ALL YOUR USES

Excaliber's unique design also allows it to be used in any application ...

- Single use
- Manual process control
- Remote actuated control
- Throttle flow control

QUICK CHANGE OF VALVE ELEMENT

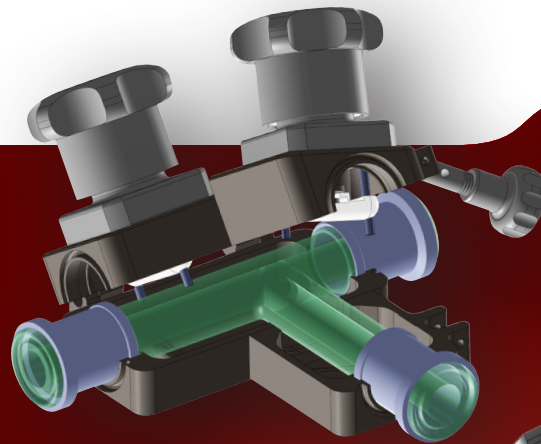
Our innovative, diaphragm-free design makes batch change-outs quicker and easier...

- 10-second change-out
- No tools required
- No gaskets needed

PLUS MANY OTHER FEATURES

We've incorporated other various important specs and traits into the design of our Excaliber, enabling it to satisfy any and all operating requirements you may have ...

- Autoclavable
- Rugged design
- No drainability issues
- Available in metric sizes
- Cv equal to process tubing
- Extremely high flex-cycle life
- 150°C operating temperature (Stapure®)
- Cost-effective, single-use option
- 360° functional orientation
- Available in right- or left-hand configuration
- Available with either manual or actuated topworks in any combination
- Tubing bushing inserts removable

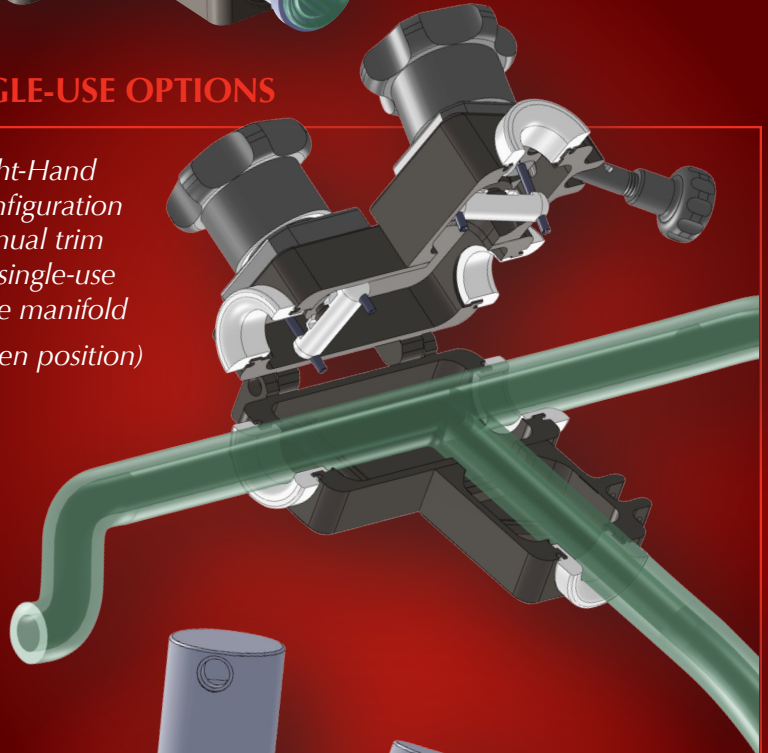


MULTI-PORT DIVERT VALVE

Right-Hand Configuration manual trim with replaceable element (silicone)

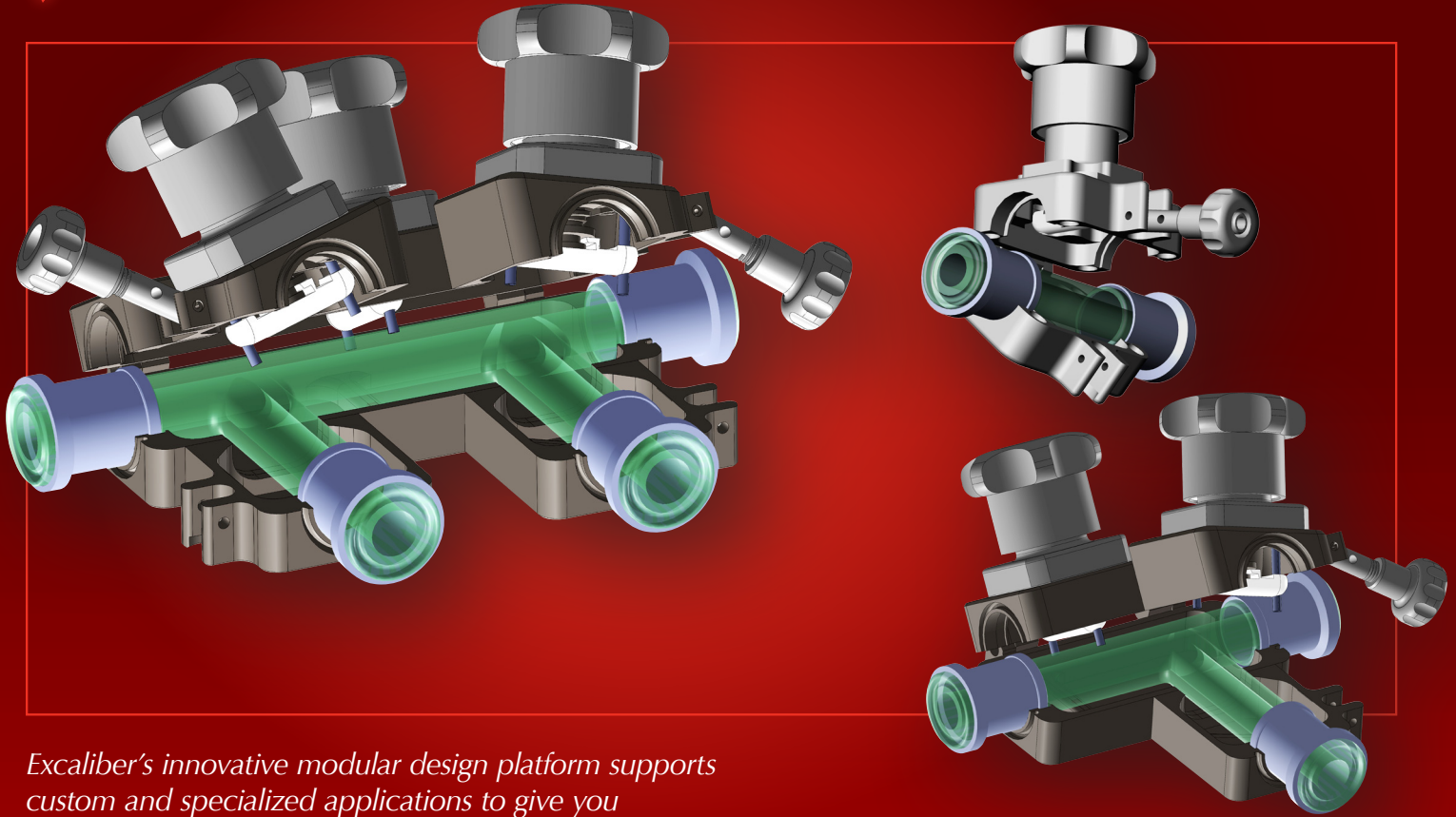
SINGLE-USE OPTIONS

Right-Hand Configuration manual trim for single-use tube manifold (open position)



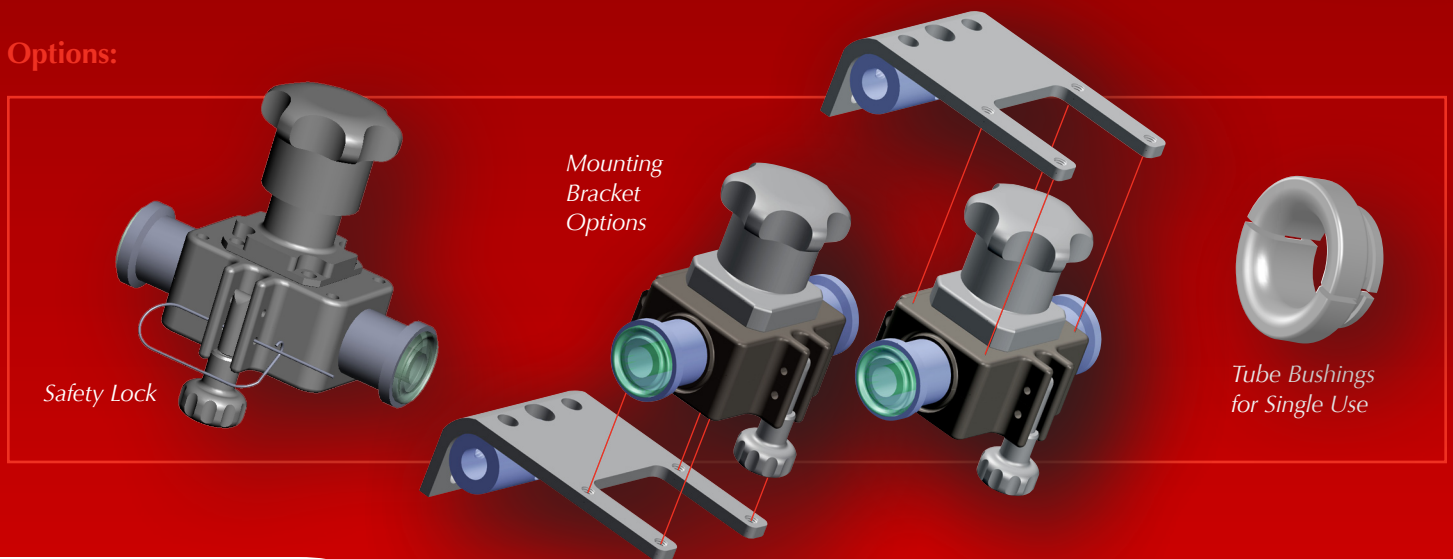
Right-Hand Configuration actuator trim for single-use tube manifold (open position)

EXCALIBER



Excaliber's innovative modular design platform supports custom and specialized applications to give you maximum flexibility in any configuration.

Options:



Replaceable Element Sizes and Ratings:

PRESSURE RATINGS (BAR/PSIG)

Size	Type	Element Material	21°C/70°F
1/2"	Manual	Stapure® tube	5.9/85
		Silicone tube	2.4/35
	Actuated	Stapure® tube	3.4/50
		Silicone tube	2.4/35
3/4"	Manual	Stapure® tube	4.8/70
		Silicone tube	2.4/35
	Actuated	Stapure® tube	3.4/50
		Silicone tube	2.4/35
1"	Manual	Stapure® tube	3.1/45
		Silicone tube	
	Actuated	Stapure® tube	2.4/35
		Silicone tube	

Validation Protocols:

- USP Class VI, USP 87, USP 88, USP 661, USP 381
- European Pharmacopoeia Section 3.1.9
- ISO 10993
- ADI-free materials
- GRAS materials

Part Numbering Key:

CONFIGURATION

left-hand orientation <i>(viewed from opening side, branch on left)</i>	L
right-hand orientation <i>(viewed from opening side, branch on right)</i>	R

OPERATION

manual operation on the run	R
manual operation on the branch	B
pneumatic operation on both	D

SINGLE USE

optional, low pressure pneumatic operator	SU
----------------------------------------------	----

Option Key:

SAFETY OPTION

Body Lock	BX
-----------	----

MOUNTING HOLE OPTIONS

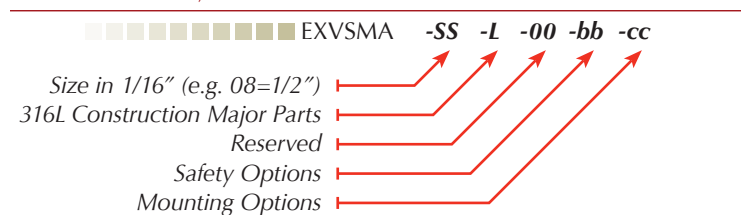
Top Only	TX
Bottom Only	XB
Top & Bottom	TB

POSITION SENSING OPTIONS

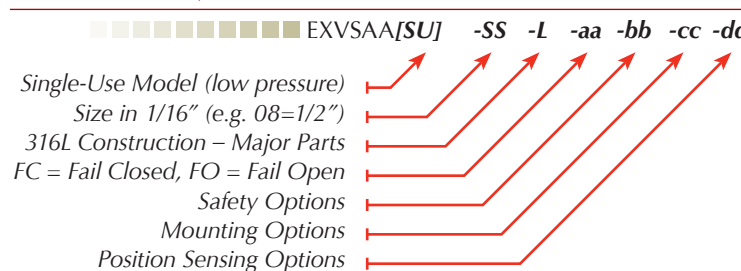
Passive Indicator	PI
On/Off Sensor	DS
Variable Position Sensor	VP

Ordering Information:

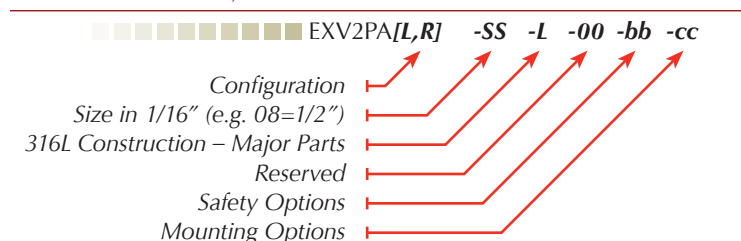
SINGLE-CLOSURE, MANUAL VALVE ASSEMBLY



SINGLE-CLOSURE, ACTUATED VALVE ASSEMBLY



MULTI-PORT DIVERT, MANUAL VALVE ASSEMBLY



MULTI-PORT DIVERT, ACTUATED VALVE ASSEMBLY

